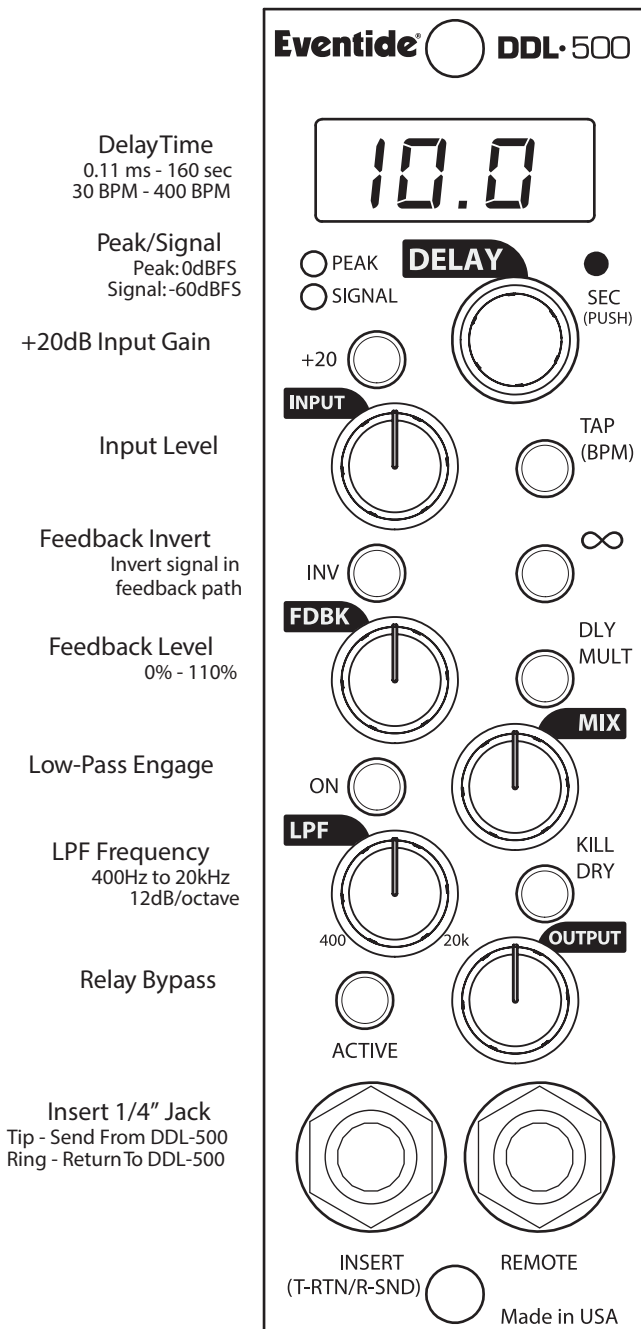


DDL-500

10 seconds of pristine delay at 192kHz in a 500-Series format



Delay Time
0.11 ms - 160 sec
30 BPM - 400 BPM

Peak/Signal
Peak: 0dBFS
Signal: -60dBFS

+20dB Input Gain

Input Level

Feedback Invert
Invert signal in feedback path

Feedback Level
0% - 110%

Low-Pass Engage

LPF Frequency
400Hz to 20kHz
12dB/octave

Relay Bypass

Insert 1/4" Jack
Tip - Send From DDL-500
Ring - Return To DDL-500

Seconds Indicator
Seconds displayed when lit
Milliseconds when off

Delay Knob
Turn knob to change delay time,
push + turn for coarse control

Tap Button
Tap to enter delay
Hold + turn knob to set
tap divider

Infinite Repeat
Repeat samples in delay buffer

Delay Multiply
Active when lit
Hold + turn knob to set mult:
2x (96kHz) - 16x (12kHz)

Dry/Wet Mix

Kill + Dry
Disables delay input, dry signal
and feedback are unaffected

Output Level

Remote 1/4" Jack
Momentary footswitch,
expression pedal or
0-3.3V control voltage

Default:
Tip - Tap
Ring - Infinite Repeat
Tip+Ring - Delay Mult Enable

Eventide® DDL-500

10.0

○ PEAK DELAY ● SEC (PUSH)
○ SIGNAL

+20 INPUT TAP (BPM)

INV FBK DLY MULT

ON LPF MIX

400 20k KILL DRY OUTPUT

ACTIVE

INSERT REMOTE

(T-RTN/R-SND) REMOTE

○

Made in USA

Technical Specifications

Sample Rate: 192kHz to 12kHz
Resolution: 24 bits
Minimum Delay: 0.11 milliseconds
Maximum Delay: 10 seconds @ 192kHz
160 seconds @ 12kHz

Input: Max 24dBu, >18kΩ impedance
Output: Max 24dBu, 50Ω impedance
Insert Send: Max 10dBu, 2kΩ impedance
Insert Return: Max 20dBu, 50kΩ impedance
Power: +16V 200mA, -16V 100mA
Applications Guide and Support at:
<http://eventide.com/>

Tap Button and Divider

Tap to enter delay. Display will show BPM while tapping. Push + hold Tap button to set the Tap divider. The divider can be set from 16th note triplets (Delay is 1/12th of Tap rate) to 4 bars (Delay is 16 times Tap rate). For example, some of the available dividers are:

[1.4] - Quarter note	[1.4d] - Dotted 1/4 (3/8)
[1.8] - Eighth note	[1.8d] - Dotted 1/8 (3/16)
[1.2] - Half note	[16 d] - Dotted 1/16 (3/32)
[4.4] - Whole note	[32 d] - Dotted 1/32 (3/64)
[1.5b] - Dotted whole	[16 t] - 1/16th note triplets
[2 b] - 2 bars	[1.8 t] - 1/8th note triplets
[2.5b] - 2.5 bars	[1.4 t] - Quarter note triplets
[4 b] - 4 bars	[4.4 t] - Whole note triplets

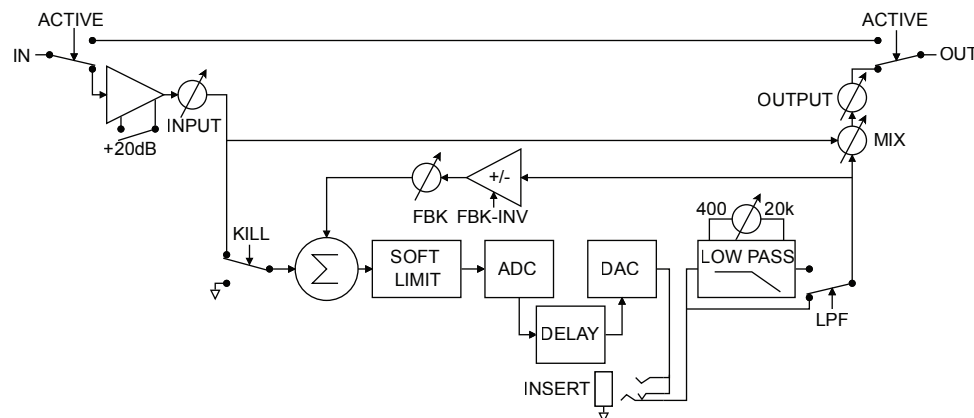
System Mode

Hold delay knob and tap button for 3 seconds to enter and exit system mode. Turn encoder to select parameter and push encoder to change. Push encoder again to return to parameter list.

Parameters:	Remote Assignment:
[1.gl] - Delay glide (seconds)	Momentary: [1] - Tap
[2.ti] - Assign Remote Tip	[6] - Delay Time
[3.rn] - Assign Remote Ring	[7] - Inverted Delay Time
[4.tr] - Assign Remote Tip+Ring	[8] - Delay Glide
[5.ra] - Delay Remote Sweep Range	[9] - Delay Multiplier Value
[6.so] - Software Version	[5] - Active

Remote assignments [1]-[5] accept momentary switch, [6]-[9] accept an expression pedal or other CV source. Tip+Ring [4.tr] can only map momentary parameters and only when Tip [2.ti] and Ring [3.rn] also have momentary assignments.

System Reset: If you encounter issues with the system, you can recall factory defaults by removing power from the unit and then applying power while holding down the ACTIVE button. The display will show [ini] if successful.



Eventide®

Designed and Manufactured in the USA

Part # 141227 Rev 1
©2014 EVENTIDE INC., ONE ALSAN WAY, LITTLE FERRY, NJ 07643 USA EVENTIDE.COM