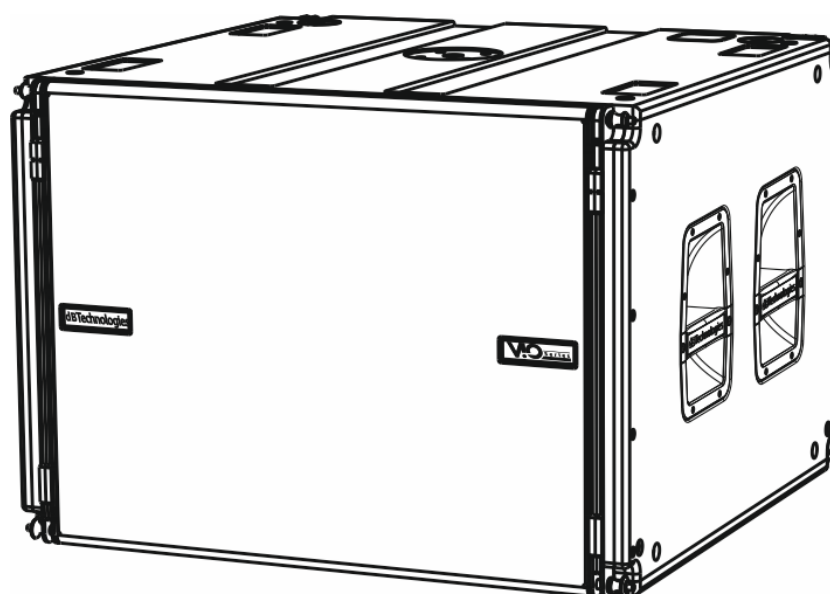




VIO S 118



Quick start user manual

Section 1

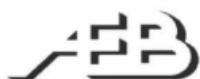
The warnings in this manual must be observed together with the "USER MANUAL - Section 2".

Le avvertenze nel presente manuale devono essere osservate congiuntamente al "MANUALE D'USO - Sezione 2".

Die Warnungen in diesem Handbuch müssen in Verbindung mit der "BEDIENUNGSANLEITUNG - Abschnitt 2" beobachtet werden".

Les avertissements spécifiés dans ce manuel doivent être respectés ainsi que les "CARACTERISTIQUES TECHNIQUES - Section 2"

Las advertencias del presente manual se deben tener en cuenta conjuntamente con las del "MANUAL DEL USUARIO" - Sección 2".



A.E.B. Industriale Srl Via Brodolini, 8 Località Crespellano 40053 VALSAMOGGIA BOLOGNA (ITALIA)
Tel +39 051 969870 Fax +39 051 969725 www.dbtechnologies.com info@dbtechnologies-aeb.com



Thank you for choosing a dBTechnologies Product!

VIO S118 is an active horn loaded subwoofer, designed for professional use, easy to fly, equipped with one 18" woofer (voice coil: 4"). The powerful DIGIPRO® G4 amplifier section, capable of handling up to 1600 W (RMS power), is controlled by a DSP, which can perform a detailed customization of the output sound of the subwoofer. In particular, thanks to the complete control interface, it is possible to accurately tune various types of configurations, like cardioid or end-fire. The RDnet connections allow in-depth remote control, thanks also to free available software (dBTechnologies Network, dBTechnologies Composer). WPD (wireless position detection) is a new feature which allows recognizing the placement of the subwoofer in line-array (in the real use). Professional accessories (like FSA-VIOL210 flown adapter, GSA-VIOL210 stack adapter, DRK-210 fly-bar, DO-VIOS118 dolly) ensure easy set-up to create different configurations, completing live installations with VIO-L210 line-arrays.

Check the site www.dbtechnologies.com for the complete user manual!

1) Unpacking

The box contains:

No. VIO S118

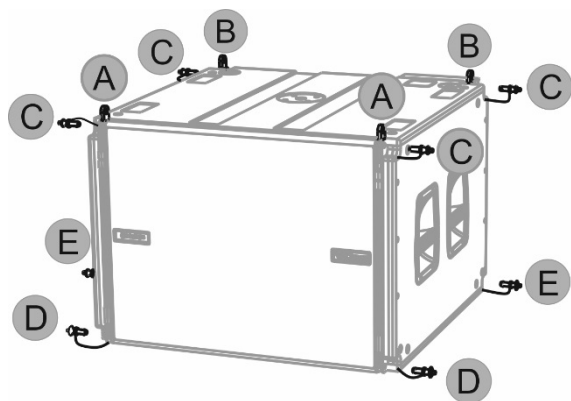
No. 1 Mains cable with Neutrik® powerCON TRUE1 connector

No. 1 Fuse

This quick start and warranty documentation

2) Easy installation

The quick assembly in line-array is guaranteed by:



UPPER SIDE

front retractable brackets (A), for anchoring to a higher subwoofer or DRK-210 fly-bar (flown installation)

rear retractable brackets (B), for anchoring to a higher subwoofer, to DRK-210 fly-bar (flown installation) or to GSA-VIOL210 (stacked installation)

quick-release pins (C) for securing the retractable brackets

LOWER SIDE

front anchorage system (D), for anchoring to a lower subwoofer or to VIO-L210 module (flown installation)

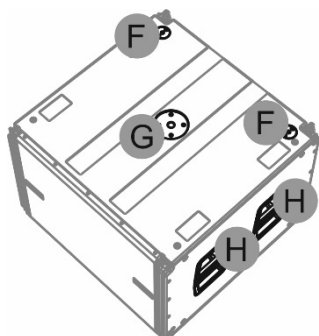
rear anchorage system (E), for anchoring to a lower subwoofer or to FSA-VIOL210 (flown installation)

TOP AND LATERAL SIDES

pick points for DRK-210 fly-bar (F) (stacked mounting)

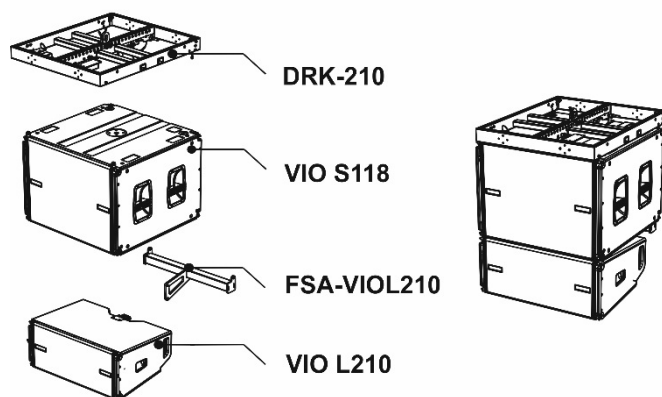
pole-mount adapter (G) (M20 threaded hole)

handles (H) (2 for each side)

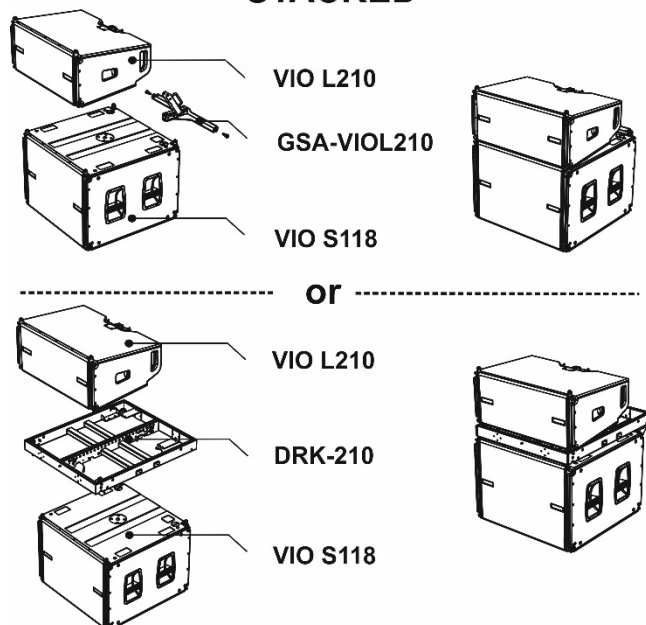


The use of main accessories for each type of installation is illustrated in the pictures below. Please refer to the related instructions and complete manuals for further information.

FLOWN



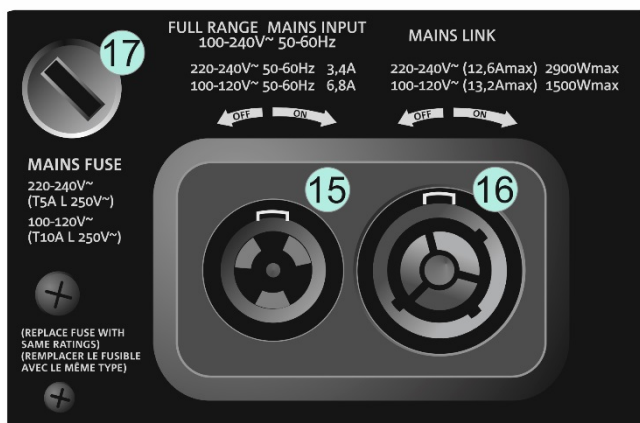
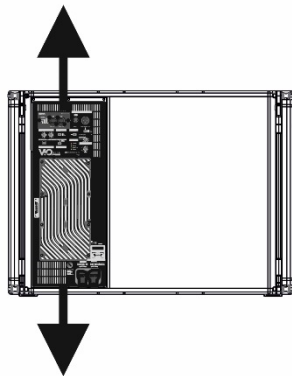
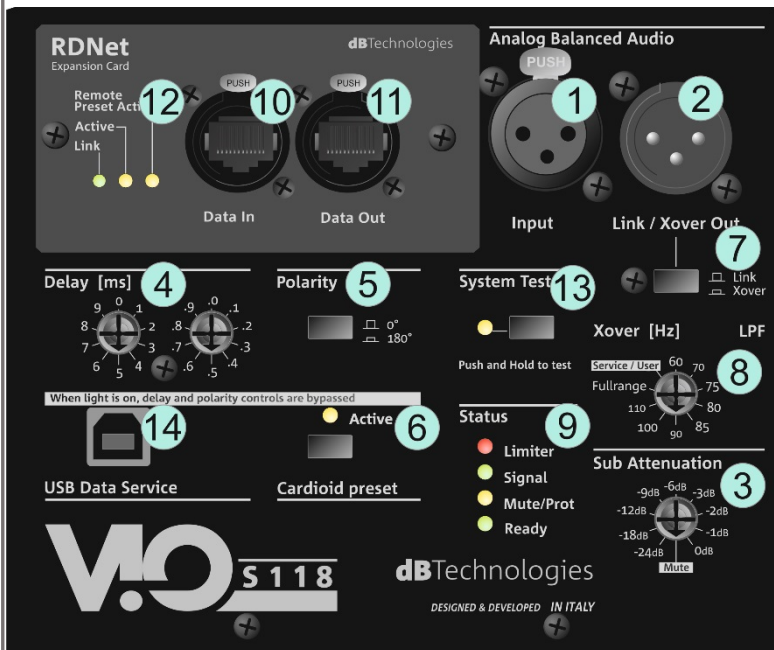
STACKED



The product and accessories must be handled by trained personnel only! The user is required to follow regulations and mandatory laws on safety of the country in which the product is used. Don't use handles and/or roping points to suspend VIO S118!

3) First switch-on

The DIGIPRO G4 amplifier of VIO S118 is controlled by a powerful DSP. All the connections and controls are in the rear amplifier control panel:



The subwoofer is supplied with a mounted fuse for operation within the 220-240V~ range. If you need to operate in the 100-120V~ voltage range:

- **Disconnect all connections, including the power supply**
- **Wait 5 minutes**
- **Replace the fuse with the one provided in the package for the 100-120V~ range**

- 1 – Input (balanced) connector
- 2 – Link/Xover Out (balanced) connector
- 3 – Subwoofer attenuation rotary control
- 4 – Delay rotary controls
- 5 – Polarity switch
- 6 – Cardioid preset switch
- 7 – Link/Xover Out switch
- 8 – Xover LPF
- 9 – Status LEDs (Limiter, Signal, Mute/Protection, Ready)
- 10 – RDNet Data In
- 11 – RDNet Data Out
- 12 – RDNet status LEDs
- 13 – System test switch
- 14 – USB Data Service (USB-standard Type B)
- 15 – Full Range Mains input connector
- 16 – Mains Link connector
- 17 – Mains Fuse

a) Once you have properly set up the desired configuration (see also the VIO S118 complete user manual and accessories instructions for further information), connect the audio input (1). Set the Subwoofer attenuation (3) to 0 dB.

b) Connect the possible output direct link (2), and set the Link/Xover Out switch (7). If your choice is Xover, you can choose the LPF frequency with (8) Xover rotary. This filter does not affect the “Link” output, if selected with (7).

c) Choose the Subwoofer Setup (Delay 4, Polarity 5) In cardioid configuration, please note that the cardioid preset switch (6), when active, bypass these controls.

d) In case of remote control, connect the Data Input (10) to the hardware remote controller (RDNet Control 2 or RDNet Control 8) with cables equipped with etherCON connectors. Then connect the Data Output (11) to the Data Input (10) of a possible second device, and so on. When the RDNet network is on and it has recognized the connected device, the LED “Link” (12) is on. The other LEDs (12) “Active” start blinking at the presence of data transmission, the “Remote Preset Active” advise that all the local controls set on the amplifier panel (level, DSP presets, etc.) are by-passed and controlled remotely by RDNet. In remote control it is essential the use of free dBTechnologies software:

- **dBTechnologies Network**, useful for an in-depth control of different devices in remote connection;
- **dBTechnologies Composer**, useful for the complete sound system design for various professional needs, particularly developed for VIO series.

e) Connect the power supply (15). Link the power to other subwoofer or modules (see Technical Data for further information) using mains link connector (16).

For further information, download the complete user manual and the free software:
www.dbtechnologies.com/EN/Downloads.aspx
 or scan the QR code.

Technical Data

Speaker Type: Active horn-loaded subwoofer

Acoustical data

Frequency Response [-6 dB]: 36 Hz - Cut frequency
(crossover - dependent)

Frequency Response [-10 dB (HPF)]: 33 Hz

Max SPL (1 m): 139 dB

LF: 1 x 18"

LF Voice Coil: 4"

Crossover freq.: 60 to 110 Hz + full-range

Directivity: (omnidirectional) Cardioid with DSP

Amplifier

Amp Technology: Digipro® G4

Power supply: Full range with PFC

Amp Class: Class-D

RMS Power: 1600 W

Peak Power: 3200 W

Cooling: Passive (convection)

Operating voltage:

100-240V~ 50-60 Hz (Full Range)

Wireless position recognition: WPD technology



Scan with
your QR
Reader App to
download the
complete User
Manual

Download the complete user manual on:

www.dbtechnologies.com/EN/Downloads.aspx

EMI CLASSIFICATION

According to the standards EN 55103 this equipment is designed and suitable to operate in E5 Electromagnetic environments.

FCC CLASS A STATEMENT ACCORDING TO TITLE 47, PART 15, SUBPART B, §15.105

This equipment has been tested and found to comply with the limits for a Class A digital device, pursuant to part 15 of the FCC Rules.

These limits are designed to provide reasonable protection against harmful interference when the equipment is operated in a commercial environment.

This equipment generates, uses and can radiate radio frequency energy and, if not installed and used in accordance with the instructions, may cause harmful interference to radio communications.

Operation of this equipment in a residential area is likely to cause harmful interference in which case the user will be required to correct the interference at his own expense.

Changes or modifications not expressly approved by the party responsible for compliance could void the user's authority to operate the equipment.

WARNING: This equipment is compliant with Class A of CISPR 32. In a residential environment this equipment may cause radio interference.

WARNING: Make sure that the loudspeaker is securely installed in a stable position to avoid any injuries or damages to persons or properties. For safety reasons do not place one loudspeaker on top of another without proper fastening systems. Before hanging the loudspeaker check all the components for damages, deformations, missing or damaged parts that may compromise safety during installation. If you use the loudspeakers outdoor avoid spots exposed to bad weather conditions.

Contact dB Technologies for accessories to be used with speakers. dBTechnologies will not accept any responsibility for damages caused by inappropriate accessories or additional devices.

Features, specification and appearance of products are subject to change without notice.

dBTechnologies reserves the right to make changes or improvements in design or manufacturing without assuming any obligation to change or improve products previously manufactured.

Processor

Controller: DSP, 64 bit 96 kHz

Limiter: Peak, RMS, Thermal

Controls: Rotary Delay Control (0-9.9 ms, steps: 0.1 ms), switches (Link/Xover, Cardioid Preset, System test, Phase), Subwoofer level, Xover LPF

Input

Mains connections: PowerCON® TRUE1 In/link

Maximum number of subwoofer for each daisy chain power connection [mains input + mains link]: 1+3 VIO S118** (220-240V~), 1+1 VIO S118** (100-120V~)

Signal Input: (Balanced) 1x IN (female)

Signal Out: (Balanced) Link OUT (male)

RDNET connectors: Data In / Data Out

USB connector: standard USB B-type (for SERVICE DATA)

Mechanics

Housing: Wooden box/black polyurea finish

Grille: Full metal (CNC machining)

Handles: 2 per side

Rigging points: 4 in the upper side, 4 in the lower side

Pick points (stack mode): yes (on top for DRK210)

Width: 720 mm (28.34 in)

Height: 520 mm (20.47 in)

Depth: 695 mm (27.36 in)

Weight: 45.1 kg (99.42 lbs.)

POWER SUPPLY SPECIFICATIONS (POWER ABSORPTION)

Draw at 1/8 of full power in average use conditions (*): 1.4 A (220-240V~) - 2.7 A (100-120V~)

Draw at 1/3 of full power in maximum use conditions (**): 3.4 A (220-240V~) - 6.8 A (100-120V~)

Power absorption with speaker turned on without signal (idle): 35 W

* INSTALLER NOTES: The values refer to 1/8 of full power, in average operating conditions (music program with infrequent or no clipping). It is recommended to consider them the minimum sizing values for any type of configuration.

** INSTALLER NOTES: The values refer to 1/3 of full power, in heavy operating conditions (music program with frequent clipping or activation of the limiter). We recommend sizing according to these values in case of professional installations and tours.